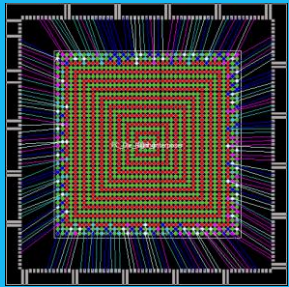


BroadPak

2.5D/3D Technologies

PAVING THE WAY TO A SMARTER INTEGRATION

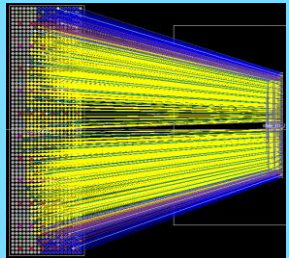


CONFIDENTIAL

Copyright © 2015 BroadPak, Corp. All Rights Reserved.

BroadPak Corporation
1735 N 1ST ST STE 301A
San Jose, California 95112
www.broadpak.com

Farhang Yazdani
President & CEO
farhang.yazdani@broadpak.com
Tel: (408) 922-9006



About BroadPak

Smarter Integration?

Technologies Contributing to Smarter Integration

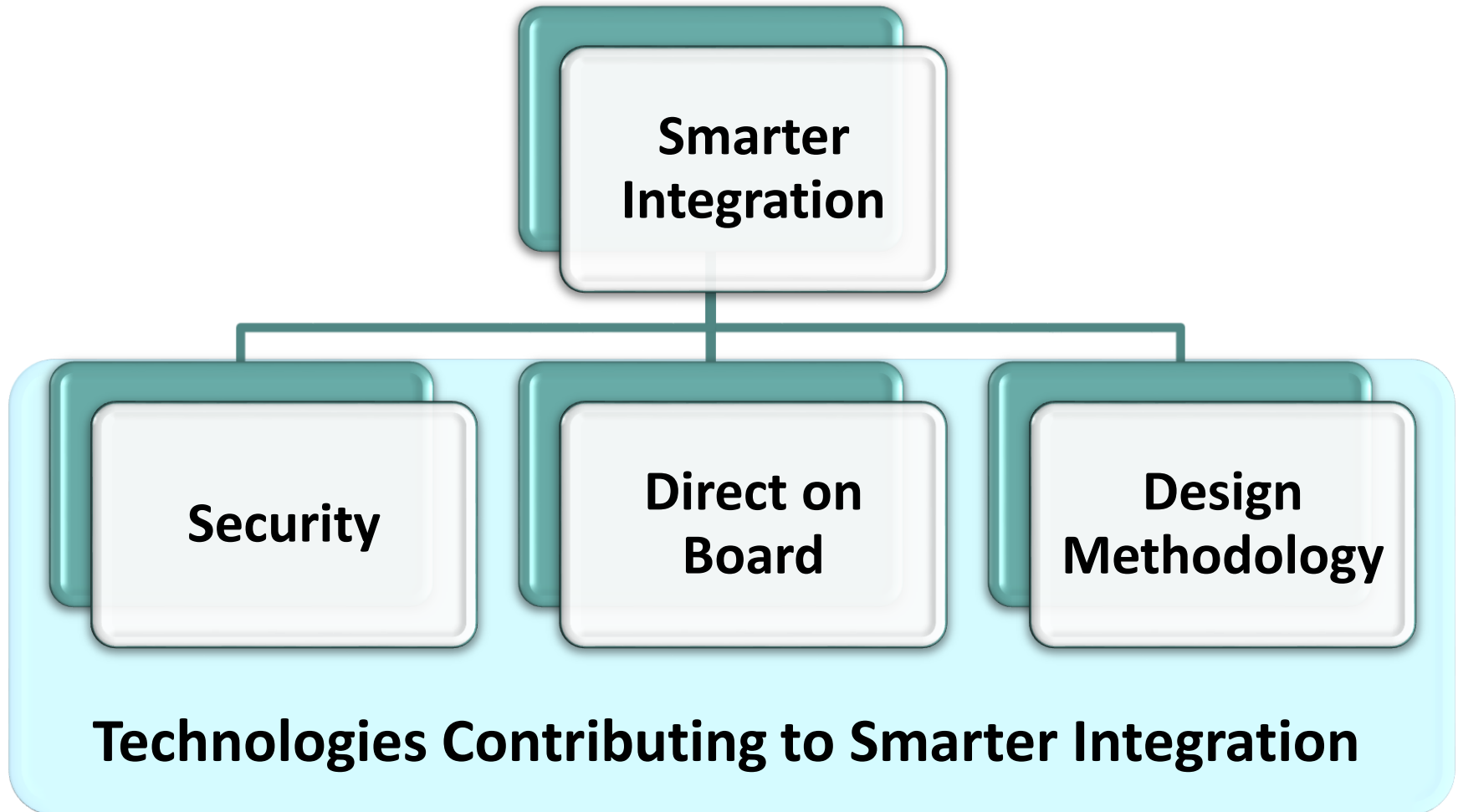
Case Studies and Results

Summary

Q & A

- ③ **Founded: 2007**
- ③ **Location: San Jose, California**
- ③ **Model: Fabless 2.5D/3D integrator**
- ③ **Services: Providing total solution and technologies to develop and launch 2.5D/3D products.**
- ③ **Customers: Major semiconductor players**

SMARTER 2.5D/3D INTEGRATION!





Security

Most Sophisticated Android Bootkit Malware ever Detected; Infected Millions of Devices

2014-04-02T23:15:00-11:00Wednesday, April 02, 2014 Mohit Kumar

Hesperbot - A New Banking Trojan that can create hidden VNC server on infected systems

2013-09-05T06:58:00-11:00Thursday, September 05, 2013 Mohit Kumar

New banking trojan capable of hijacking the SSL connections !

2011-03-02T21:58:00-11:00Wednesday, March 02, 2011 Mohit Kumar

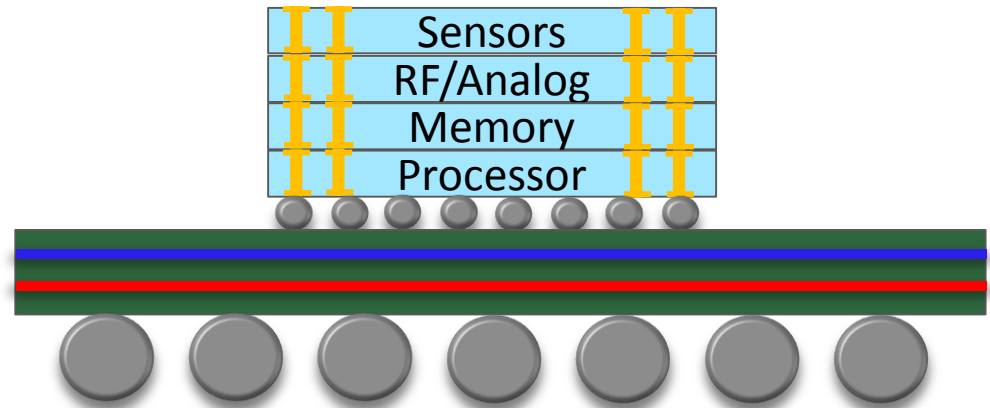
Google's security tool infected with trojan !

2011-03-10T07:59:00-11:00Thursday, March 10, 2011 Mohit Kumar



Source: <http://thehackernews.com/search?q=Trojan&updated-max=2012-03-29T10:25:00-07:00&max-results=20&start=17&by-date=false>

- ◎ A great product
- ◎ Truly a product of globalization
- ◎ However, a gold mine for intruders
 - ◎ Sniffing
 - ◎ Spying
 - ◎ Tampering
 - ◎ ...



```
graph TD; A[Attack Models] --- B[Hardware Trojans (malicious circuits)]; A --- C[Overbuilding]; A --- D[Counterfeit]; A --- E[IP Piracy];
```

Attack Models

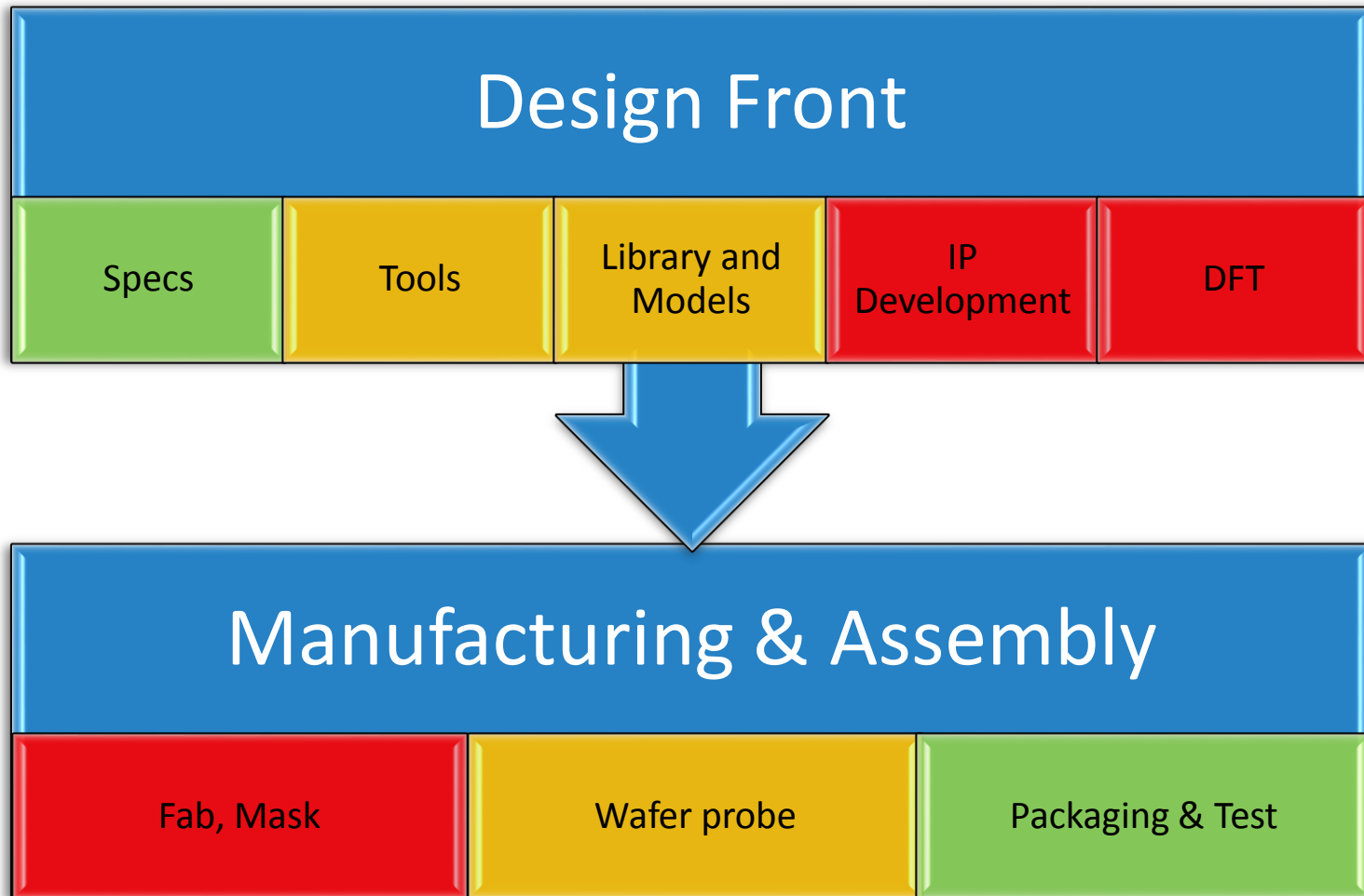
Hardware Trojans
(malicious circuits)

Overbuilding

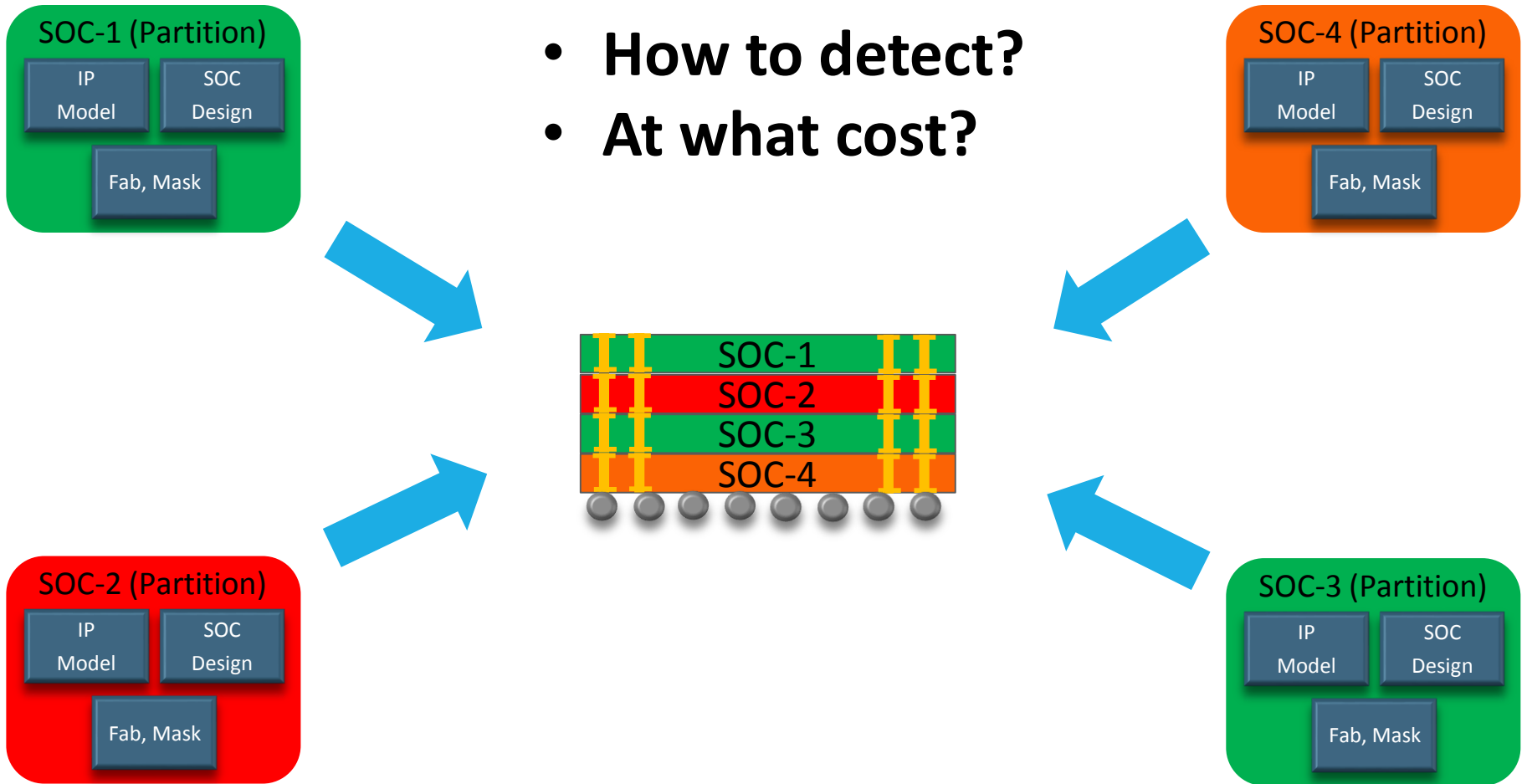
Counterfeit

IP Piracy

POTENTIAL SUPPLY CHAIN RISKS



VULNERABILITY OF HETEROGENEOUS STACKING



- **Design for secure testing**
- **Secure port interfaces**



**Testing
requires access
ports**



**Access ports
are blocked by
security**

- ⊙ **Anti Reverse Engineering**
- ⊙ **Anti-Cloning**
- ⊙ **Anti-Counterfeit**
- ⊙ **Anti-Tamper**
- ⊙ **Anti-Trojan**
- ⊙ **Anti-IP Piracy**
- ⊙ **...**